

Subject: 1100 LITRE COMMERCIAL MGB

Description: PRODUCT OVERVIEW

Due to continuous product improvement Transpacific Superior Pak reserves the right to alter specifications without prior notice

1100L Commercial Bin



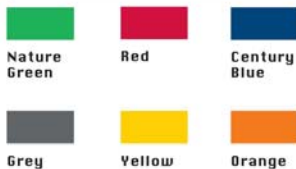
- For heavy duty use
- Big cone shaped bodies that allow good filling, complete emptying and problem free cleaning
- Fitted with heavy duty castors and solid rubber tyre wheels
- Foot brakes on two wheels
- Plenty of hand grips and handles to assist in maneuvering

Standard features include:

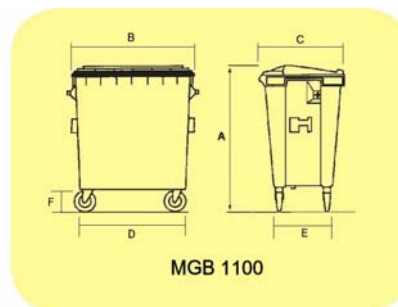
- Heavy duty design
- Easily maneuvered, lifted and emptied
- Injection moulded from high molecular weight, virgin High Density Polyethylene (HPDE).
- Added UV stabilizers
- Extremely heat, cold and chemical resistant
- Made to the highest international standards (with particular emphasis on the German standard EN 840)



COLOUR CHOICE



Note that actual plastic colours may vary slightly to these printed colour swatches.
 Specifications are subject to change without notice.
 Custom colours available subject to negotiation and delivery time frame.



MGB 1100	
Weight approx.	65 kgs
Volume	1100 ltr
Dimensions *	
A	1350 mm
B	1235 mm
C	1030 mm
D	860 mm
E	680 mm
F	200 mm
* Dimensions shown are indicative only. Contact your Sales representative for more detail.	

Transpacific Superior Pak ABN 14 122 228 380

www.superiorpak.com.au

181 Fison Av. West, Eagle Farm,
 Brisbane, QLD 4009
 P +61 (0) 7 3268 7244
 F +61 (0) 7 3268 7655

27 Daisy Street, Revesby,
 Sydney, NSW 2212
 P +61 (0) 2 9773 7979
 F +61 (0) 2 9773 6914

80-84 Capital Link Drive,
 Campbellfield, Melbourne, VIC 3061
 P +61 (0) 3 8359 6200
 F +61 (0) 3 9357 8280

142 Cavan Road, Dry Creek,
 Adelaide, South Australia 5094
 P +61 (0) 8 8168 4000
 F +61 (0) 8 8168 4001

32 Ewing Street, Bentley,
 Perth, Western Australia 6105
 P +61 (0) 8 6104 7300
 F +61 (0) 8 9258 6487

36 Colombo Street, Frankton,
 Hamilton, 3242, New Zealand
 P +64 (0) 7 847 0024
 F +64 (0) 7 847 0025